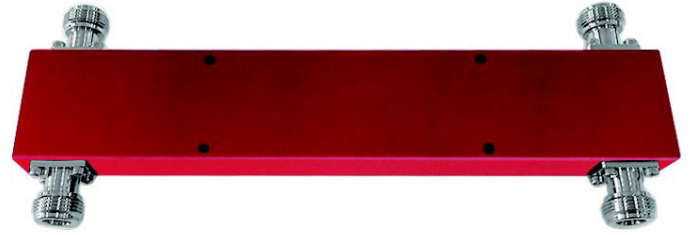


TQ-HYBRID-UHF-3 UHF Hybrid Coupler



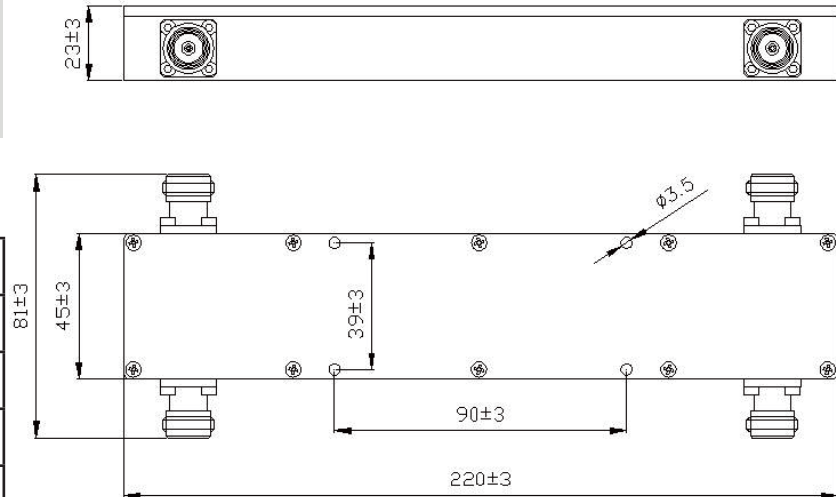
FEATURES

- UHF Wideband Hybrid Coupler (450-512 MHz)
- Low Passive Inter-modulation
- Low VSWR & Insertion Loss
- Widely used for In-building Solutions

Technical Specifications

Frequency	450-512MHz
Insertion Loss	≤3.6dB
Port Isolation	≥23dB
VSWR	≤1.25:1
Power	50 W
Impedance	50Ω
Color	Red
Temperature	-40°C to 65°C
Ingress Protection	IP65
Connector	N-Female
Relative Humidity	5%-95%
Dimensions	220x81x23 mm/ 8.7x3.2x0.9 inch

Mechanical Drawing



Ordering Information

Model	Description	Stock No.
TQ-HYBRID-UHF-3	Hybrid Coupler, 3dB, 450-512MHz, 50 W	3996165