

TQ-COUP-UHF

UHF Wideband Directional Couplers



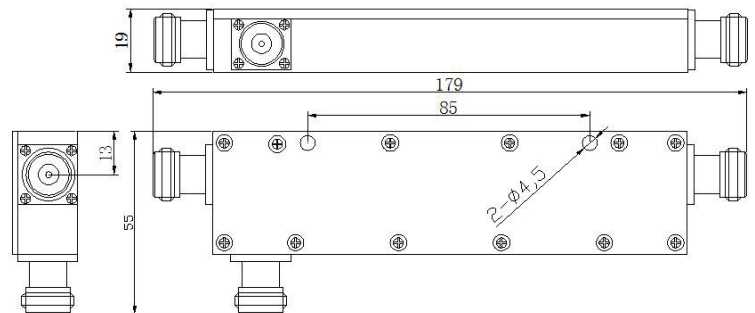
FEATURES

- UHF Wideband Directional Coupler (450-512MHz)
- Low VSWR
- Low Insertion Loss
- For Indoor Applications (IP60 Rated)

Technical Specifications

Model #	TQ-COUP-UHF-6	TQ-COUP-UHF-10
Type	-6 dB	-10 dB
Insertion Loss	≤1.7 dB	≤0.8 dB
Coupling Port Loss	6 ± 1.2 dB	10 ± 1.5 dB
Directivity	≥24 dB	≥26 dB
Frequency Range	450 - 512 MHz	
VSWR	≤1.25:1	
Power Capacity	200 W	
Impedance	50 Ω	
Connector Type	N-Female	
Dimension	179 x 55 x 19 mm / 7 x 2.2 x 0.8 inch	
Operating Temperature	-30° to +65° C	
Color	Red	

Mechanical Drawing



Ordering Information

Model	Description	Stock No.
TQ-UHF-COUP-6	Directional Coupler, 6dB, 450-512MHz, 200 W	3996159
TQ-COUP-UHF-10	Directional Coupler, 10dB, 450-512MHz, 200 W	3996160